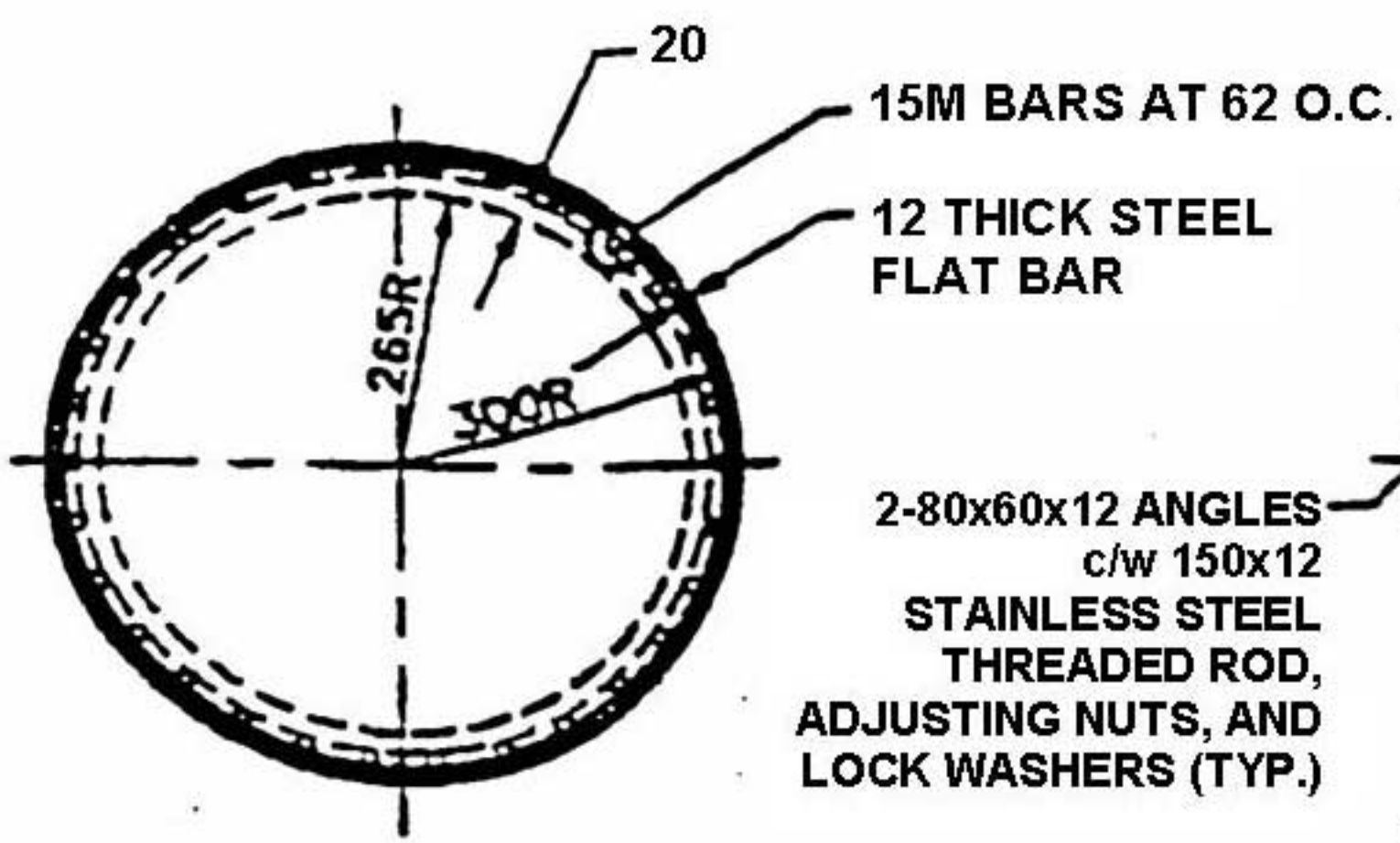
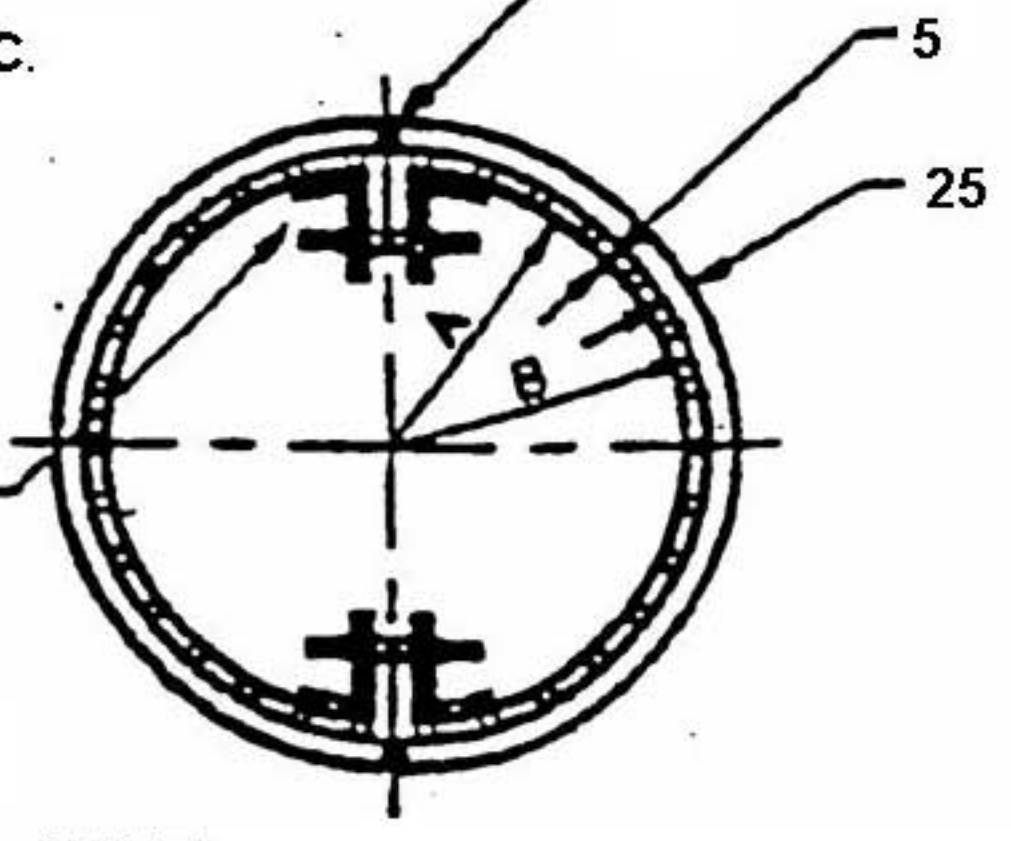


15 ADJUSTMENT GAP



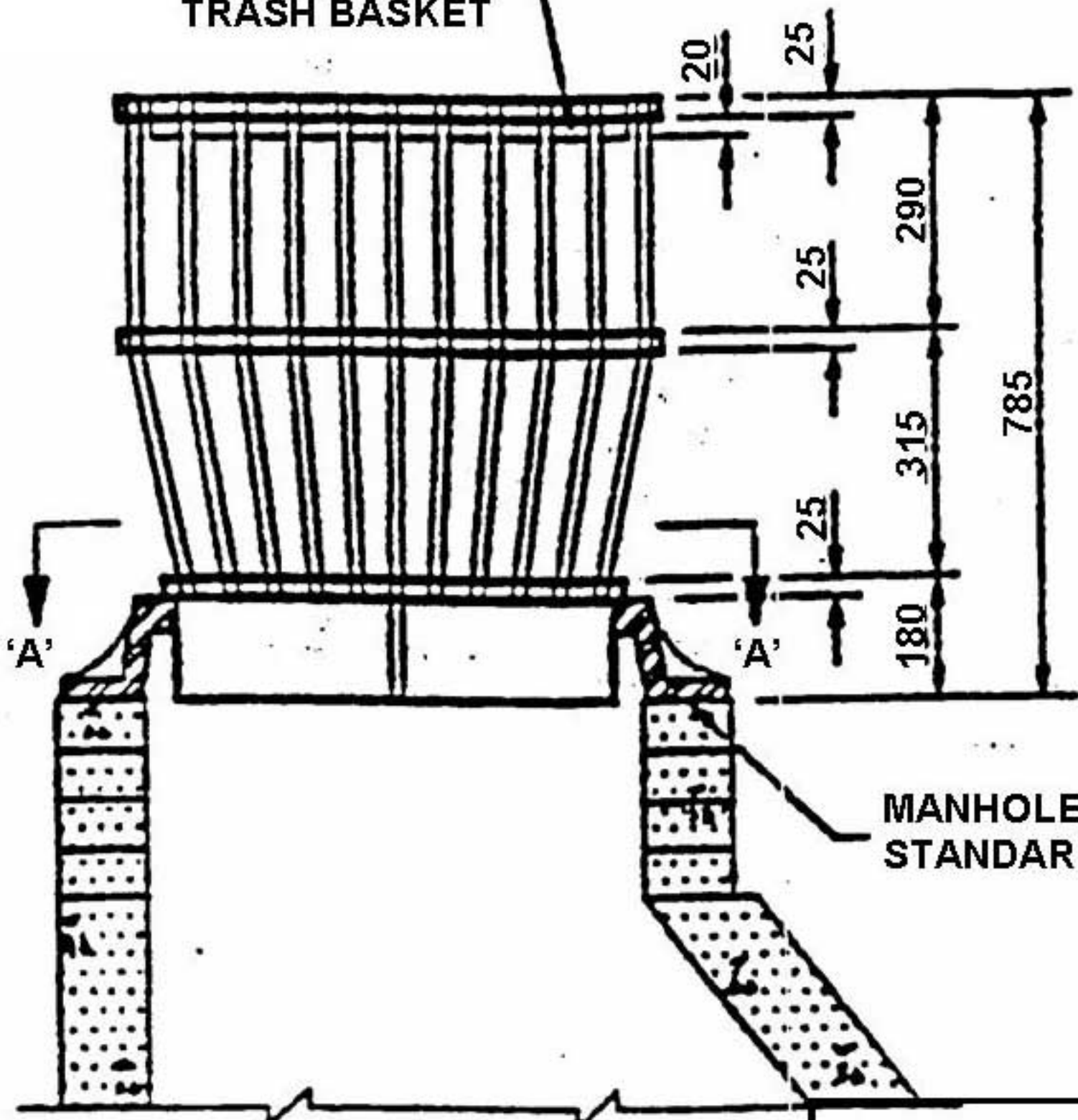
TOP VIEW



NOTE:
DIMENSIONS A AND B ARE TO BE ADJUSTED TO FIT SNUGLY INSIDE AN NF-39 MANHOLE FRAME

SECTION 'A-A'

STANDARD NF-39 GRATE TO FIT INSIDE TRASH BASKET



NOTE:
ALL DIMENSIONS ARE IN MILLIMETERS

MANHOLE FRAME STANDARD NF-39



TRASH GRATE

NF-39