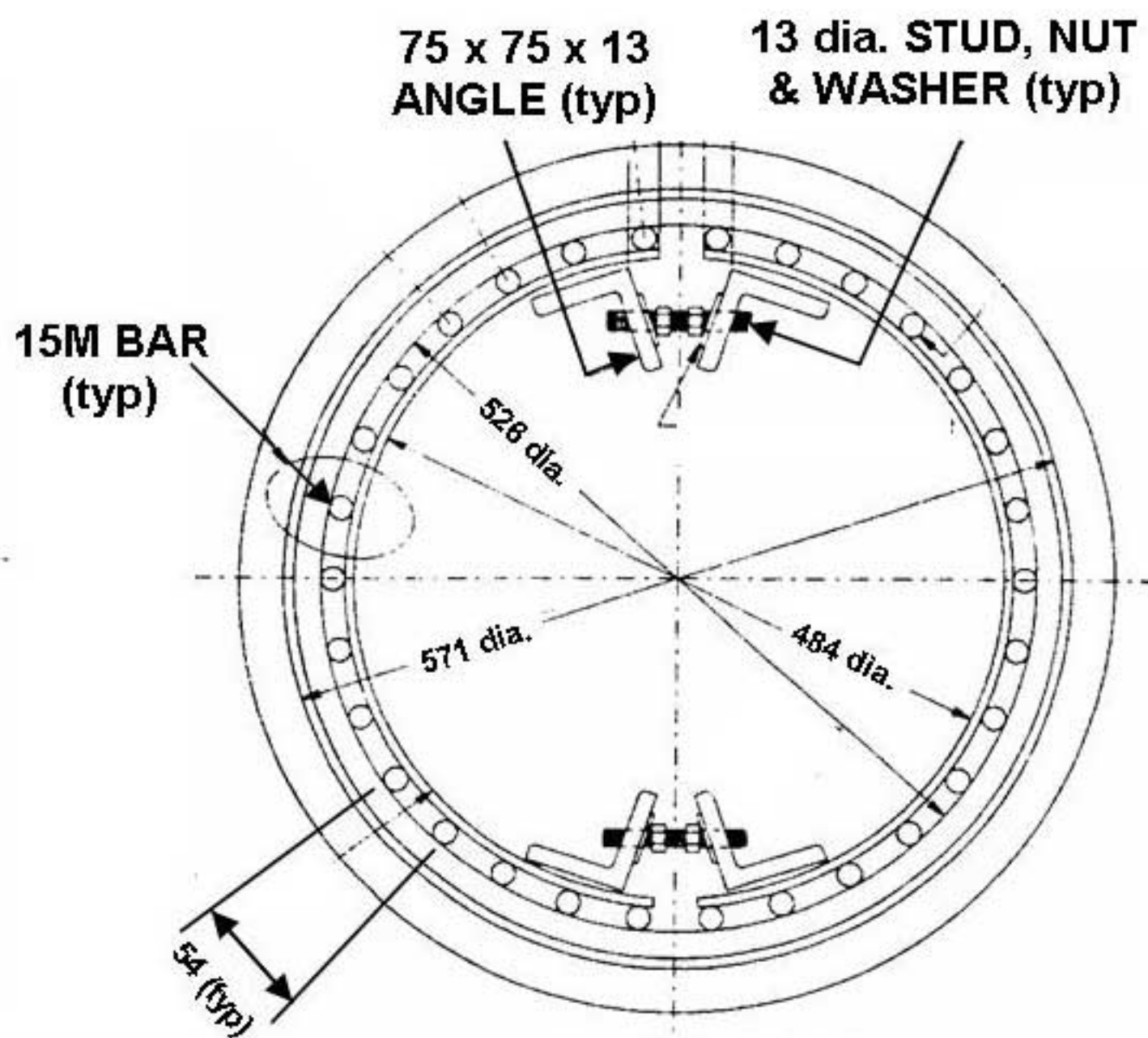
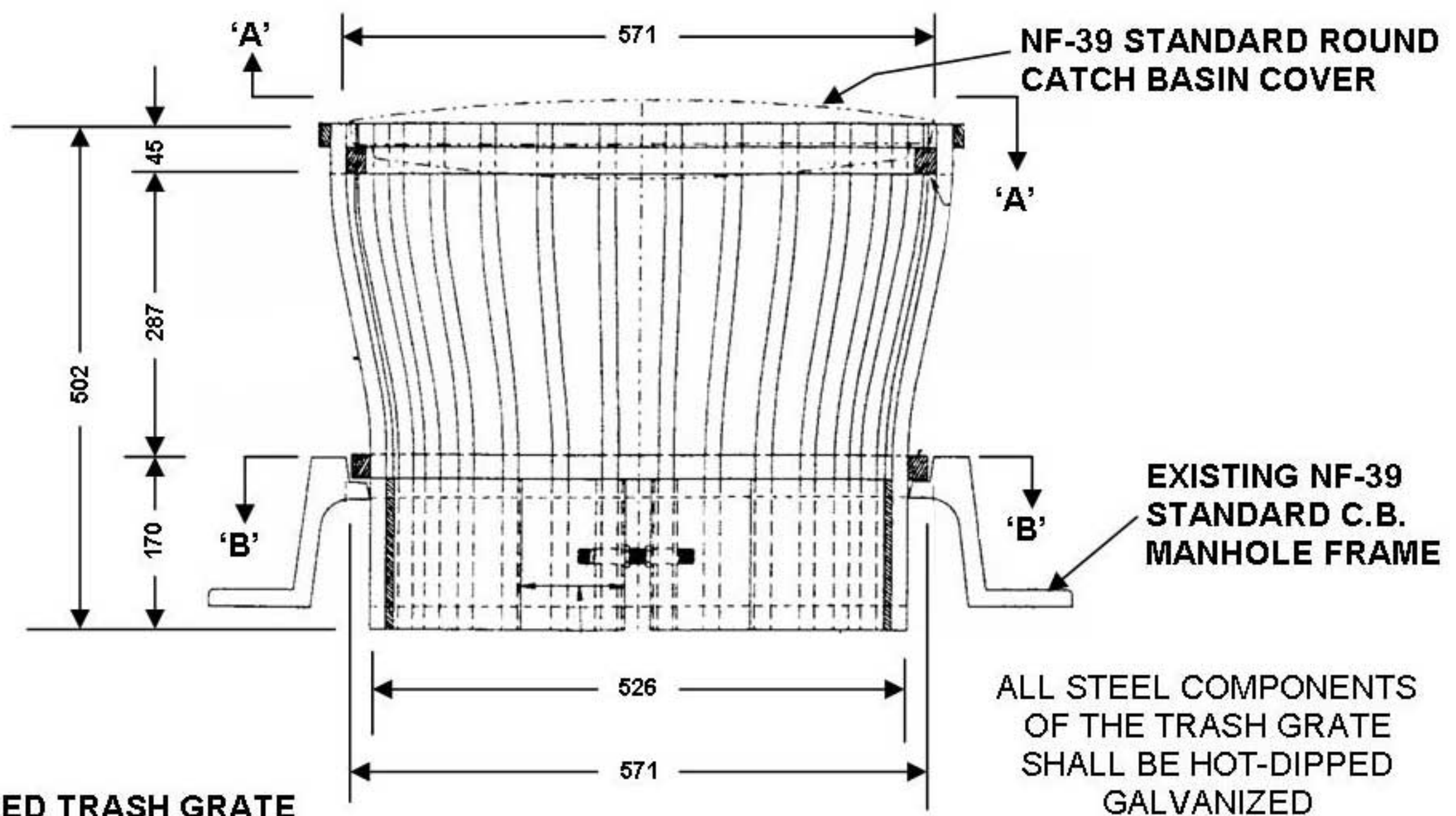


SECTION 'A-A' - TOP VIEW

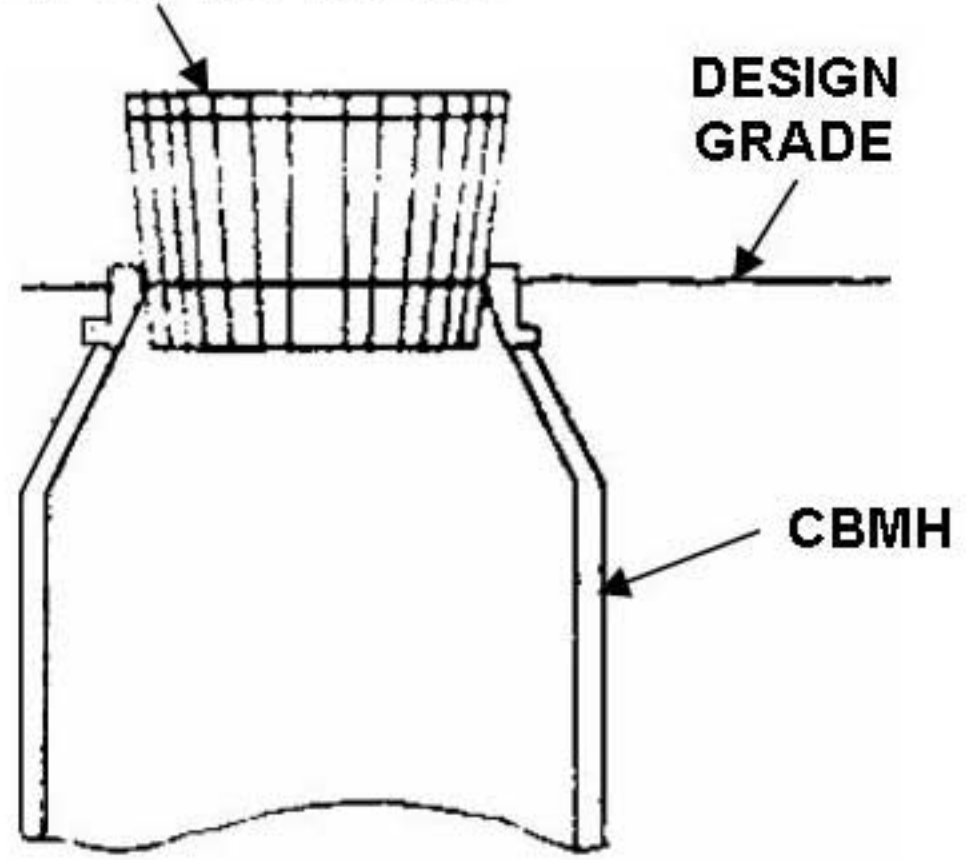


SECTION 'B-B'



PROPOSED TRASH GRATE

ALL STEEL COMPONENTS OF THE TRASH GRATE SHALL BE HOT-DIPPED GALVANIZED



TRASH GRATE POSITIONING



SHORT TRASH GRATE

NF-39