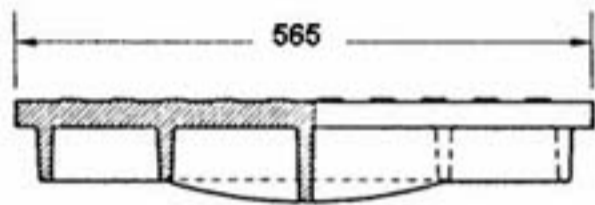
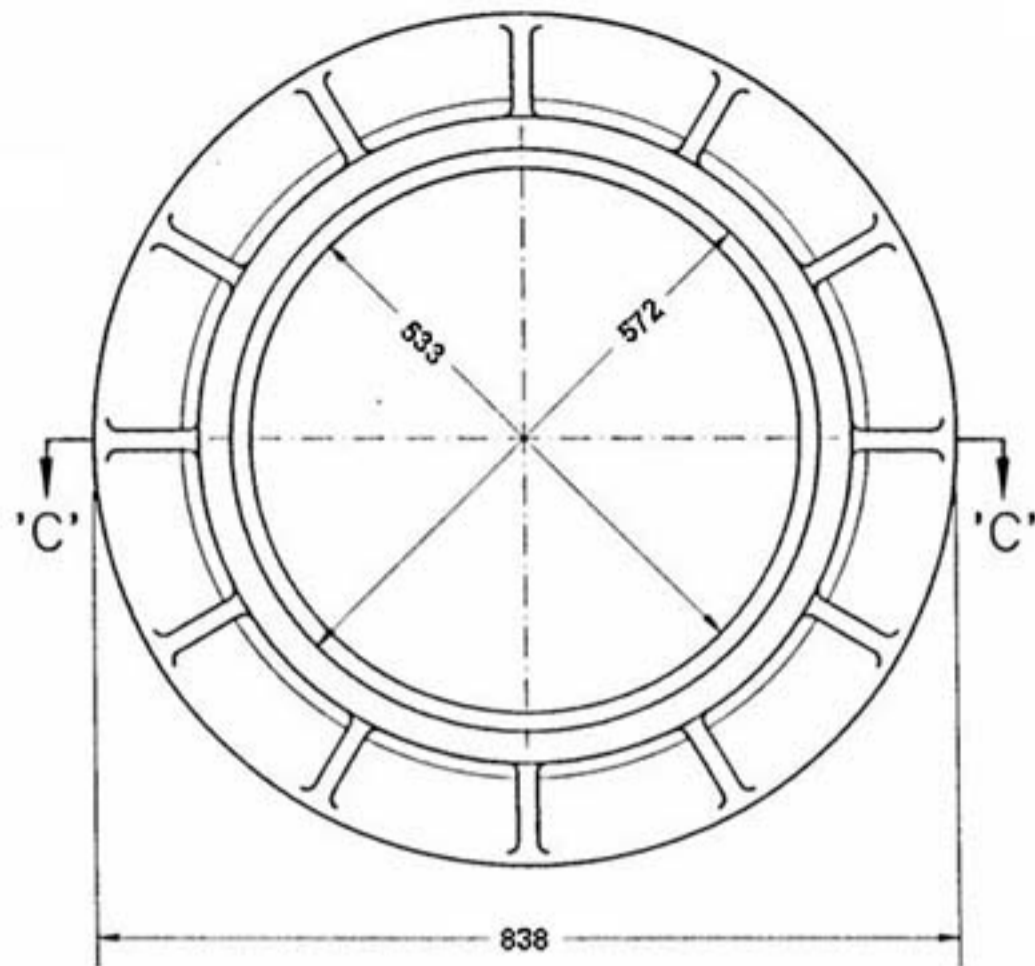


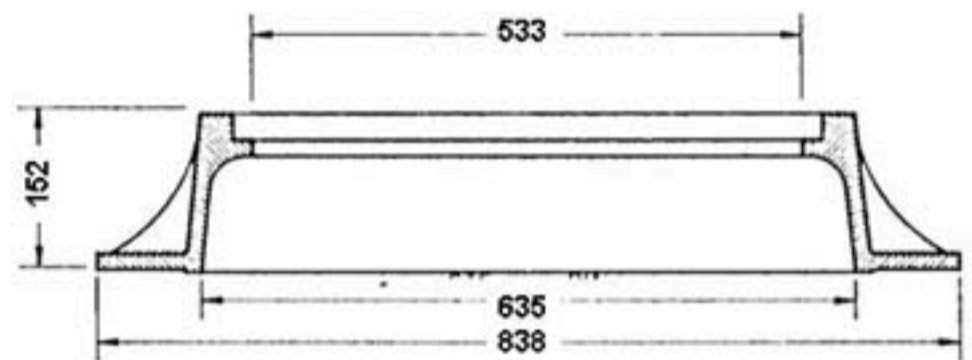
COVER - TOP VIEW



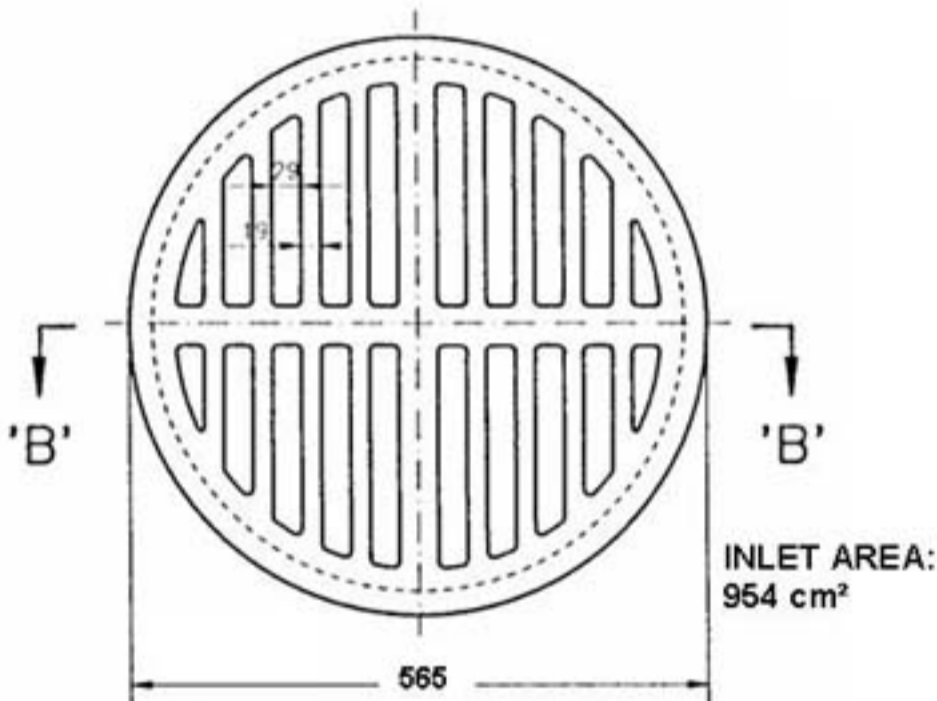
SECTION 'A-A'



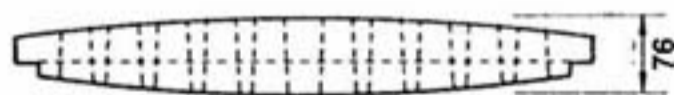
FRAME - TOP VIEW



SECTION 'C-C'



GRATE - TOP VIEW



SECTION 'B-B'

DEPTH OF PONDING (cm)	CAPACITY (L/s)
2.54	40.4
5.08	57.2
7.62	70.0
10.16	80.9
12.70	90.4
15.24	99.1
17.78	107.0
20.32	114.4
22.86	121.3
25.40	127.9

CAN BE MODIFIED FOR SECURITY (LID BOLTED DOWN) OR GASTITE (GASKETED) APPLICATIONS

SPECIFICATIONS:

THE CASTINGS SHALL BE TRUE TO PATTERN AND FREE FROM CRACKS, GAS HOLES, FLAWS AND EXCESSIVE SHRINKAGE. SURFACES OF THE CASTINGS SHALL BE FREE FROM BURNT ON SAND AND SHALL BE REASONABLY SMOOTH. RUNNERS, RISERS, FINNS AND OTHER CAST ON PIECES SHALL BE REMOVED. IN OTHER RESPECT THE CASTINGS SHALL CONFORM TO WHATEVER POINTS MAY BE AGREED UPON BETWEEN THE MANUFACTURER AND THE ENGINEER. UPON REQUEST OF THE ENGINEER THE MANUFACTURER SHALL BE PREPARED TO CERTIFY THAT HIS PRODUCT CONFORMS TO THE REQUIREMENTS OF A.S.T.M. DESIGNATION A-48.



STANDARD MANHOLE & ROUND TOP CATCH BASIN FRAME & COVER

NF-39