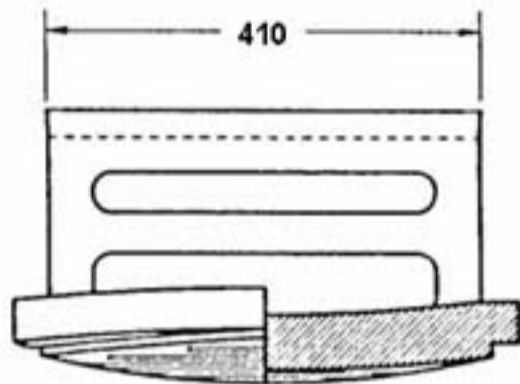
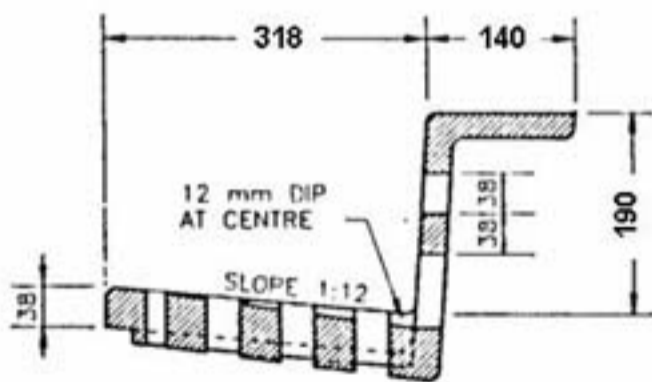


HORIZONTAL
INLET AREA:
363 cm²



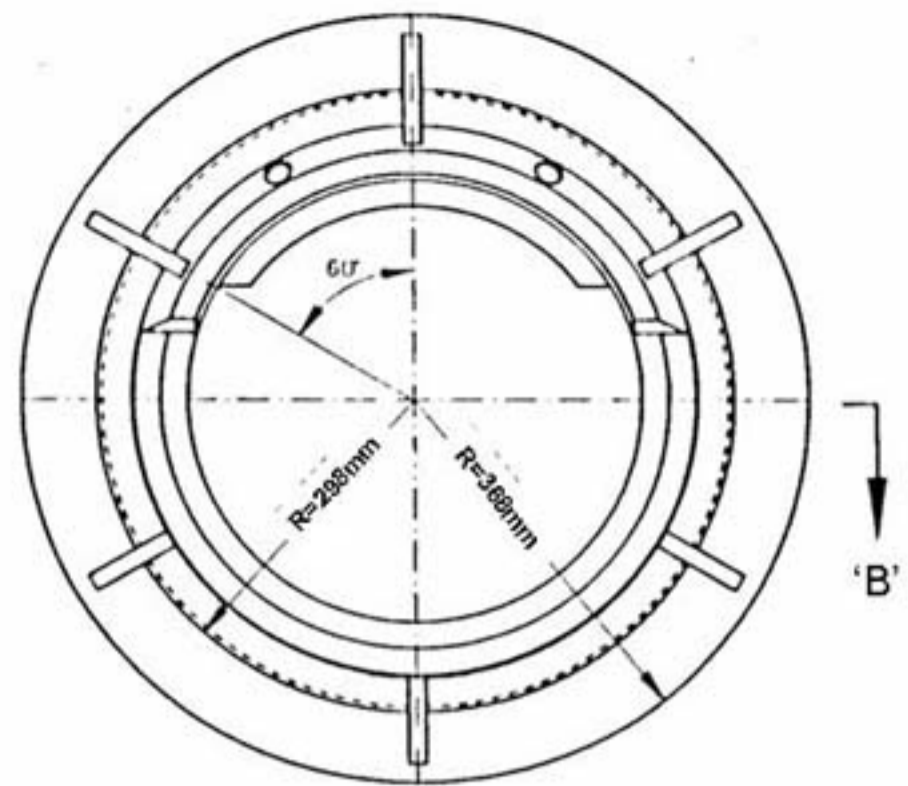
VERTICAL
INLET AREA:
288 cm²

**FRONT ELEVATION
& SECTION 'A-A'**

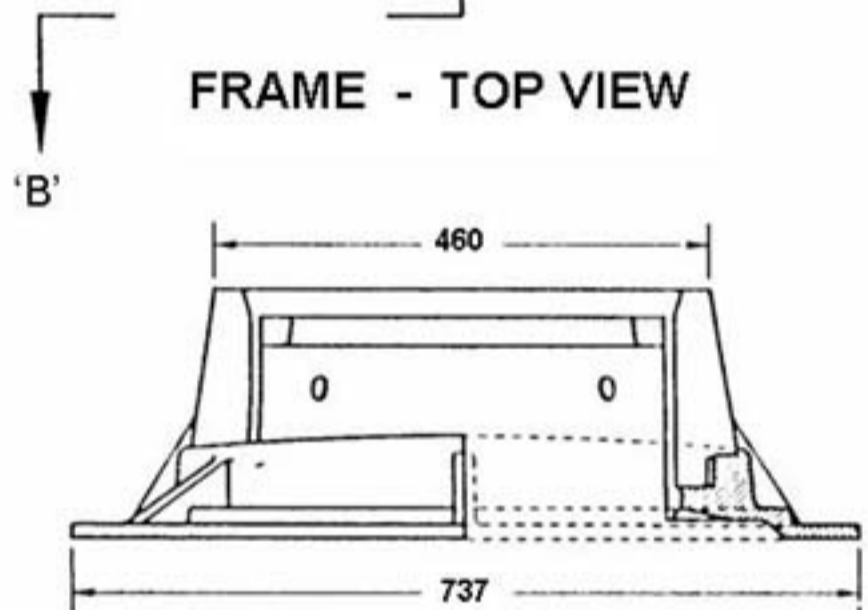


SPECIFICATIONS:

THE CASTINGS SHALL BE TRUE TO PATTERN AND FREE FROM CRACKS, GAS HOLES, FLAWS AND EXCESSIVE SHRINKAGE. SURFACES OF THE CASTINGS SHALL BE FREE FROM BURNT ON SAND AND SHALL BE REASONABLY SMOOTH. RUNNERS, RISERS, FINS AND OTHER CAST ON PIECES SHALL BE REMOVED. IN OTHER RESPECT THE CASTINGS SHALL CONFORM TO WHATEVER POINTS MAY BE AGREED UPON BETWEEN THE MANUFACTURER AND THE ENGINEER. UPON REQUEST OF THE ENGINEER THE MANUFACTURER SHALL BE PREPARED TO CERTIFY THAT HIS PRODUCT CONFORMS TO THE REQUIREMENTS OF A.S.T.M. DESIGNATION A-48.



FRAME - TOP VIEW



FRONT ELEVATION & SECTION 'B-B'

DEPTH OF PONDING (cm)	CAPACITY (L/s)
2.54	15.6
5.08	27.9
7.62	46.3
10.16	55.6
12.70	66.3
15.24	76.2
17.78	83.9
20.32	90.6
22.86	97.3
25.40	103.3



**STANDARD SIDE INLET CATCH BASIN
FRAME AND GRATE
FOR 190mm CURB & GUTTER**

NF-36